

## Maytag® Performance Series Washer with PowerWash™ Cycle

Send Page to Printer



[+ Larger View](#)  
[+ Product Demo](#)

# MHWE200XW

Maytag® Performance Series Washer with PowerWash™ Cycle



MSRP\$749.00

MAJOR APPLIANCE

**OBSOLETE**

[Specifications](#) [Product Literature](#) [Electrical Requirements](#)

### Available Colors

**White**  
 Model: MHWE200XW  
**CLOSEOUT**  
 MAJOR APPLIANCE  
**OBSOLETE**

### Order This Item

MHWE200XW

Enter Quantity:

### Related Products



**XHS1000XX**  
 Laundry 123® Adjustable  
 Clothes Rack



**XW29000XW**  
 Laundry 123® Laundry 1-2-3™  
 Worksurface



**XHP1550VW**  
 Laundry 123® 15.5" Laundry  
 Pedestal with Storage Drawer



**CLOSEOUT**  
**MGDE200XW**  
 Maytag® Performance Series  
 Gas Dryer with Rapid Dry Cycle

### Dimensions

Height	36 Inches	Dimensions shown are for planning purposes only. For complete information, see Installation Instructions packed with product.
Depth	30 1/2 Inches	
Width	27 Inches	
Gross Weight	225 LB	

### Specifications

#### Construction

Drum Material: Stainless Steel wash basket

Washer Top Finish: Powercoat-on-steel spillsaver top

#### Performance

### Key Features


- Best Cleaning in the Industry enabled by PowerWash™ Cycle [more](#)
- Rated as a "Best Buy" by a Leading Consumer Magazine
- 6 hour Fresh Spin™ Option [more](#)
- 10-Year Limited Warranty On Washer Motor And Basket
- Maytag® Commercial Technology
- Smooth Balance™ Suspension System
- 3.5 cu. ft. Capacity
- ENERGY STAR® Qualified - CEE Tier III Rated
- Reinforced, 6-Rib, commercial-grade washer belt [more](#)
- My Cycle [more](#)
- 1200 RPM Spin Speed
- MaxExtract™ Spin Option [more](#)

Dispenser Type	3-tray dispenser drawer ( Detergent, bleach and fabric softener)
Temperature Control System	Care Control
Number of Temperatures	3
Spin Speed	1200
Number of Chambers	3
Detergent Dispenser	Detergent Dispenser
Tier Level	CEE Tier II Level
Sound Package	QuietPak 2
Number of Cycles	12
Whitest Whites Cycle	Whites Cycle
Heavy Duty Wash	Heavy Duty
Normal Wash	Normal
Quick Wash	Quick Wash
Hand Wash	Silk
Pre Wash	Pre-Wash Option
Extra Rinse	Extra Rinse Option
Extended Spin	MaxExtract™
Delay Start	18 Hour
Estimated Time Remaining	Estimated time remaining display
Prewash / Wash Display	Prewash - LCD
<b>Pedestal Options</b>	
Pedestal Options	15" with drawer, 10" no drawer
<b>Dimensions</b>	
Height	36 Inches
Width	27 Inches
Install Depth Minimum	30 1/2 Inches

- 12 Wash Cycles
- Whites Cycle [more](#)
- Extra Rinse Option
- Delay Start Option
- Clean Washer Cycle with Affresh® [more](#)
- Commercial-Grade Stainless Steel Wash Basket
- QuietSeries™ 300 Sound Package
- Sensor-Controlled Suds Detection
- Variable temperature settings [more](#)
- Selectable spin speeds [more](#)
- Silk Cycle [more](#)
- Quick wash cycle [more](#)
- Delicate Cycle [more](#)
- Heavy-Duty cycle [more](#)
- Front Serviceable
- 3-Tray Dispenser Drawer (Detergent, Bleach and Fabric Softener)
- Control Lockout

**Product Literature**

- [Owners Manual](#) (9192.15 KB)
- [Dimension Guide](#) (509.86 KB)
- [Energy Guide](#) (478.60 KB)
- [Warranty](#) (68.31 KB)

You may need to install Adobe Acrobat Reader  to view these documents.

**UPC Listing**

Model "MHWE200XW" UPC: 883049191997

Maytag® Performance Series Electric Dryer with Rapid Dry Cycle



+ Larger View  
+ Product Demo

# MEDE200XW

Maytag® Performance Series Electric Dryer with Rapid Dry Cycle

MSRP\$749.00

MAJOR APPLIANCE

**OBSOLETE**

[Specifications](#) [Product Literature](#) [Electrical Requirements](#)

<p><b>Available Colors</b></p> <p><input type="checkbox"/> <b>White</b> Model: MEDE200XW <b>CLOSEOUT</b> <b>MAJOR APPLIANCE</b> <b>OBSOLETE</b></p>	<p><b>Order This Item</b></p> <p>MEDE200XW</p> <p>Enter Quantity: <input type="text" value="1"/></p>
---	--

**Related Products**



**PT400L**  
4' 4-Wire 30 amp Dryer Cord



**XHS1000XX**  
Laundry 123® Adjustable Clothes Rack



**8572546**  
Duet Sport & Epic z™ Stack Kit



**PT220L**  
4' 3-Wire 30 amp Dryer Cord

**Dimensions**

Height	36 Inches	Dimensions shown are for planning purposes only. For complete information, see Installation Instructions packed with product.
Depth	29 Inches	
Width	27 Inches	
Gross Weight	136 LB	

**Key Features**

- GentleBreeze™ Drying System with IntelliDry® Sensor [more](#)
- Smooth Balance™ Suspension System [more](#)
- Rapid Dry Cycle [more](#)
- Maytag® Commercial Technology
- 6.7 cu. ft. capacity
- 9 cycles
- Wrinkle Prevent Option
- Freshen Up Cycle [more](#)
- End-of-Cycle Signal [more](#)
- Heavy Duty Cycle [more](#)
- Denim Cycle [more](#)
- Delicates Temperature Setting
- Damp dry signal

**Specifications**


<b>Capacity</b>	
Total Capacity	6.7 Cu. Ft.
<b>Construction</b>	
Top Finish	Painted
Drum Material	Painted Steel Drum
Door Window	Window Door

Reversible Door	Reversible Side-Swing Door
Door Swing	Side Swing
<b>Controls</b>	
Controls	Electronic Front Control
<b>Performance</b>	
Drum Light	Interior Drum Light
Lint Screen Location	Front-Mounted Lint Screen
Moisture Sensor	AccelerCare Drying System
Number of Cycles	9
Heavy Duty	Heavy Duty
Normal	Normal
Damp Dry	Damp Dry
Timed Dry	Timed Dry
Quick Dry	Rapid Dry
Wrinkle Guard	90 minute Wrinkle Prevent Option
Lint Filter Reminder	Clean Lint Filter
End of Cycle Signal	End of Cycle Signal
Cool Down	Cool Down
Number of Temperatures	6
<b>Dimensions</b>	
Height	36 Inches
Width	27 Inches
Depth	29 Inches

- Wrinkle control cycle [more](#)
- Timed Dry Cycle [more](#)
- 4-Way Venting [more](#)
- Reversible Swing Door
- Control Lockout Function

#### Product Literature

- [Owners Manual](#) (3542.43 KB)
- [Dimension Guide](#) (542.14 KB)
- [Installation Instructions](#) (6889.14 KB)
- [Warranty](#) (87.68 KB)

You may need to install Adobe Acrobat Reader  to view these documents.

#### Electrical Requirements

15-20Amps. 60Hz.

#### UPC Listing

Model "MEDE200XW" UPC: 883049193083



# Front-Loading Automatic Washer

## PRODUCT MODEL NUMBERS

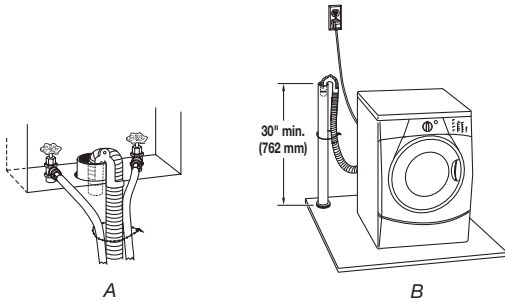
MHWE200X

**Electrical:** A 120 volt, 60 Hz., AC only, 15- or 20-amp, fused electrical supply is required. A time-delay fuse or circuit breaker is recommended. It is recommended that a separate circuit serving only this washer be provided.

### Drain System Options

**Standpipe drain system** - wall or floor (views A & B)  
The standpipe drain requires a minimum diameter standpipe of 2" (50 mm). The minimum carry-away capacity can be no less than 17 gal. (64 L) per minute.

The top of the standpipe must be at least 30" (762 mm) high and no higher than 96" (2.4 m) from the bottom of the washer.



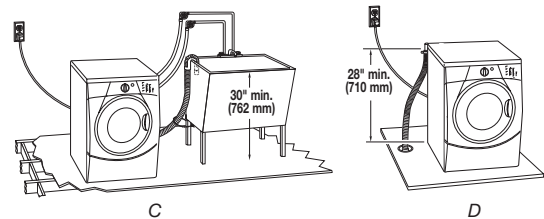
### Laundry tub drain system (view C)

The laundry tub needs a minimum 20 gal. (76 L) capacity. The top of the laundry tub must be at least 30" (762 mm) above the floor.

### Floor drain system (view D)

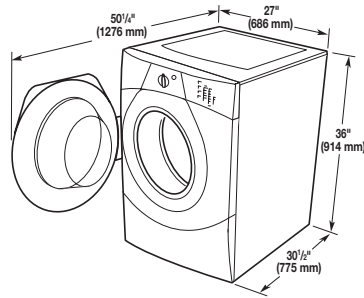
The floor drain system requires a siphon break that may be purchased separately. See "Tools and Parts."

The siphon break must be a minimum of 28" (710 mm) from the bottom of the washer. Additional hoses might be needed.

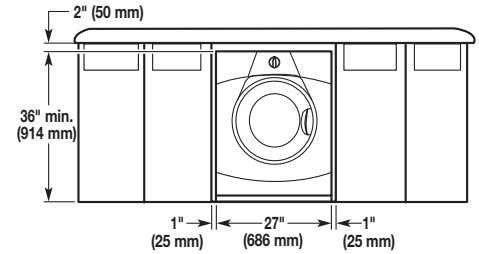


## OVERALL DIMENSIONS

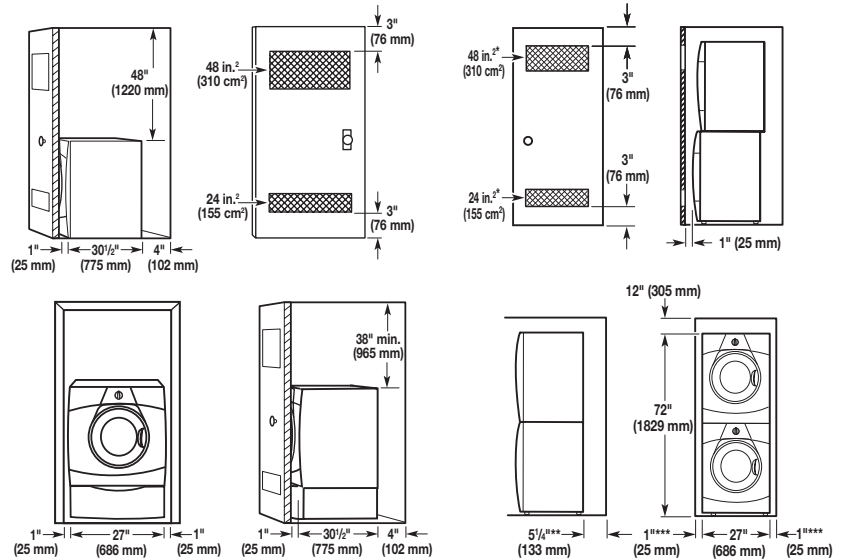
### Washer dimensions



### Custom undercounter installation-washer only

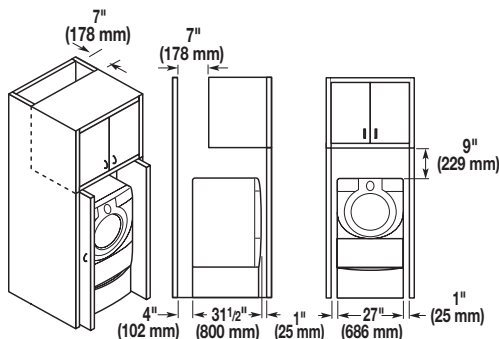


For closet installation, with a door, the minimum ventilation openings in the top and bottom of the door are required. Louvered doors with equivalent air ventilation openings are acceptable.



- \* Min. top and bottom air openings for closet door.
- \*\* External exhaust elbow requires additional space.
- \*\*\* Wall, door and floor molding may require additional spacing.

For cabinet installation, with a door, the minimum ventilation openings in the top are required.





# Electric Dryer

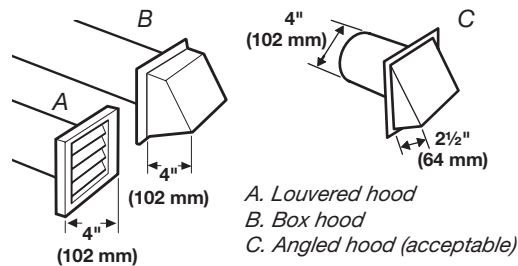
## PRODUCT MODEL NUMBERS

MEDE200X. MEDE250X

**Electrical:** This dryer requires a 3 or 4 wire, single phase, 120/240 volt, 60 Hz, AC only electrical supply (or 3 or 4 wire, 120/208 volt electrical supply, if specified on the serial/rating plate) on a separate 30-amp circuit, fused on both sides of the line. Connect to an individual branch circuit. Do not have a fuse in the neutral or grounding circuit.

**Exhaust venting:** Exhaust your dryer to the outside. 4" (102 mm) diameter vent is required. Rigid or flexible metal exhaust vent must be used. Do not use plastic or metal foil vet. Exhaust hood must be at least 12" (305 mm) from the ground or any object that may be in the path of the exhaust.

Hood styles: A & B are recommended.



The Vent system chart provides venting requirements that will help achieve best drying performance.

**NOTE:** Side and bottom exhaust installation have a 90° turn inside the dryer. To determine maximum exhaust length, add one 90° turn to the chart.

Vent system chart			
Number of 90° elbows	Type of vent	Box/louvered hoods	Angled hoods
0	Rigid metal	64 ft. (20 m)	58 ft. (17.7 m)
1	Rigid metal	54 ft. (16.5 m)	48 ft. (14.6 m)
2	Rigid metal	44 ft. (13.4 m)	38 ft. (11.6 m)
3	Rigid metal	35 ft. (10.7 m)	29 ft. (8.8 m)
4	Rigid metal	27 ft. (8.2 m)	21 ft. (6.4 m)

Do not use vent runs longer than specified in vent length chart.

Determine the number of elbows you will need.

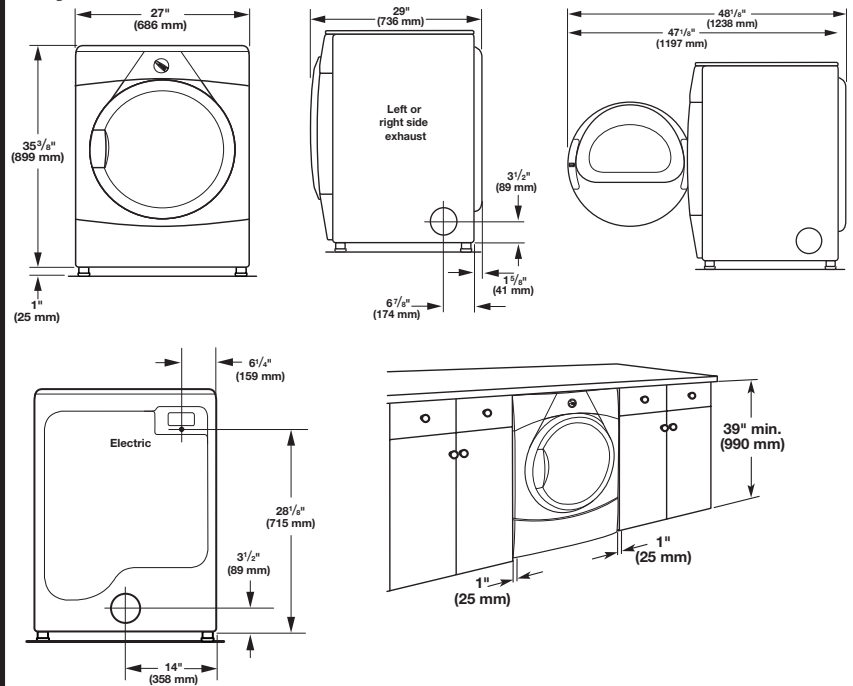
Select the route that will provide the straightest and most direct path outdoors.

Plan the installation to use the fewest number of elbows and turns.

Use the fewest 90° turns possible.

## OVERALL DIMENSIONS

### Dryer dimensions



### Minimum Required Spacing

