

Maytag® Performance Series High-efficiency front load washer



+ Larger View

MHWE201YW

Maytag® Performance Series High-efficiency front load washer



MSRP\$749.00

MAJOR APPLIANCE

[Specifications](#) [Product Literature](#) [Electrical Requirements](#)

Available Colors

White
Model: MHWE201YW
MAJOR APPLIANCE

Order This Item

MHWE201YW

Enter Quantity:

Related Products



XHS1000XX
Adjustable Clothes Rack



MEDE201YW
Maytag® Performance Series High-Efficiency Electric Dryer



MGDE201YW
Maytag® Performance Series High-Efficiency Gas Dryer



XHP1550VW
Laundry 123® 15.5" Laundry Pedestal with Storage Drawer

Dimensions

Height	36 Inches	Dimensions shown are for planning purposes only. For complete information, see Installation Instructions packed with product.
Depth	30 1/2 Inches	
Width	27 Inches	
Gross Weight	214 LB	

Specifications

Construction

Drum Material	Stainless Steel wash basket
Washer Top Finish	Powercoat-on-steel spillsaver top

Performance

Key Features


- Best Cleaning in its Class Enabled by PowerWash™ Cycle [more](#)
- PowerWash™ Cycle [more](#)
- Maytag® Commercial Technology
- 10-Year Limited Parts Warranty On Washer Motor And Basket [more](#)
- 6 hour Fresh Spin™ Option [more](#)
- ENERGY STAR® Qualified - CEE Tier III Rated
- Advanced Vibration Control [more](#)
- 3.5 cu. ft. Capacity
- Allergen Removal Washer Cycle [more](#)
- Cold Wash Cycle
- Reinforced, 6-Rib, commercial-grade washer belt [more](#)
- 1200 RPM Spin Speed
- IntelliFill™ Water Level Sensor [more](#)

Dispenser Type	3-tray dispenser drawer (Detergent, bleach and fabric softener)
Temperature Control System	Care Control
Number of Temperatures	3
Spin Speed	1200
Number of Chambers	3
Detergent Dispenser	Detergent Dispenser
Tier Level	CEE Tier III level
Number of Cycles	12
Whitest Whites Cycle	Whites
Heavy Duty Wash	Heavy Duty
Normal Wash	Normal
Quick Wash	Yes
Pre Wash	Pre-Wash Option
Extra Rinse	Extra Rinse Option
Estimated Time Remaining	Estimated time remaining display
Pedestal Options	
Pedestal Options	15" with drawer, 10" no drawer
Dimensions	
Height	36 Inches
Width	27 Inches
Install Depth Minimum	30 1/2 Inches

- Whites Cycle [more](#)
- Extra Rinse Option
- Clean Washer Cycle with Affresh® [more](#)
- Commercial-Grade Stainless Steel Wash Basket
- Sensor-Controlled Suds Detection
- Delicate Cycle [more](#)
- Heavy-Duty cycle [more](#)
- Front Serviceable
- 3-Tray Dispenser Drawer (Detergent, Bleach and Fabric Softener)
- Control Lockout
- Delay Start Option
- 12 Wash Cycles

Product Literature

- [Owners Manual](#) (8270.10 KB)
- [Dimension Guide](#) (738.04 KB)
- [Installation Instructions](#) (6782.40 KB)
- [Energy Guide](#) (372.70 KB)
- [Warranty](#) (391.32 KB)

You may need to install Adobe Acrobat Reader  to view these documents.

UPC Listing

Model "MHWE201YW" UPC: 883049231631

Maytag® Performance Series Electric Dryer with Rapid Dry Cycle



+ Larger View
+ Product Demo

MEDE200XW

Maytag® Performance Series Electric Dryer with Rapid Dry Cycle

MSRP\$749.00

MAJOR APPLIANCE

OBSELETE

[Specifications](#) [Product Literature](#) [Electrical Requirements](#)

Available Colors

White
Model: MEDE200XW
CLOSEOUT
MAJOR APPLIANCE
OBSELETE

Order This Item

MEDE200XW

Enter Quantity:

Related Products



PT400L
4' 4-Wire 30 amp Dryer Cord



XHS1000XX
Adjustable Clothes Rack



8572546
Duet Sport & Epic z™ Stack Kit



PT220L
4' 3-Wire 30 amp Dryer Cord

Dimensions

Height	36 Inches	Dimensions shown are for planning purposes only. For complete information, see Installation Instructions packed with product.
Depth	29 Inches	
Width	27 Inches	
Gross Weight	136 LB	

Specifications

Capacity	
Total Capacity	6.7 Cu. Ft.
Construction	
Top Finish	Painted
Drum Material	Painted Steel Drum
Door Window	Window Door

Key Features

- GentleBreeze™ Drying System with IntelliDry® Sensor [more](#)
- Smooth Balance™ Suspension System [more](#)
- Rapid Dry Cycle [more](#)
- Maytag® Commercial Technology
- 6.7 cu. ft. capacity
- 9 cycles
- Wrinkle Prevent Option
- Freshen Up Cycle [more](#)
- End-of-Cycle Signal [more](#)
- Heavy Duty Cycle [more](#)
- Denim Cycle [more](#)
- Delicates Temperature Setting
- Damp dry signal

Reversible Door	Reversible Side-Swing Door
Door Swing	Side Swing
Controls	
Controls	Electronic Front Control
Performance	
Drum Light	Interior Drum Light
Lint Screen Location	Front-Mounted Lint Screen
Moisture Sensor	AccelerCare Drying System
Number of Cycles	9
Heavy Duty	Heavy Duty
Normal	Normal
Damp Dry	Damp Dry
Timed Dry	Timed Dry
Quick Dry	Rapid Dry
Wrinkle Guard	90 minute Wrinkle Prevent Option
Lint Filter Reminder	Clean Lint Filter
End of Cycle Signal	End of Cycle Signal
Cool Down	Cool Down
Number of Temperatures	6
Dimensions	
Height	36 Inches
Width	27 Inches
Depth	29 Inches

- Wrinkle control cycle [more](#)
- Timed Dry Cycle [more](#)
- 4-Way Venting [more](#)
- Reversible Swing Door
- Control Lockout Function

Product Literature

- [Owners Manual](#) (3538.30 KB)
- [Dimension Guide](#) (542.14 KB)
- [Installation Instructions](#) (6889.14 KB)
- [Warranty](#) (87.68 KB)

You may need to install Adobe Acrobat Reader  to view these documents.

Electrical Requirements

15-20Amps. 60Hz.

UPC Listing

Model "MEDE200XW" UPC: 883049193083

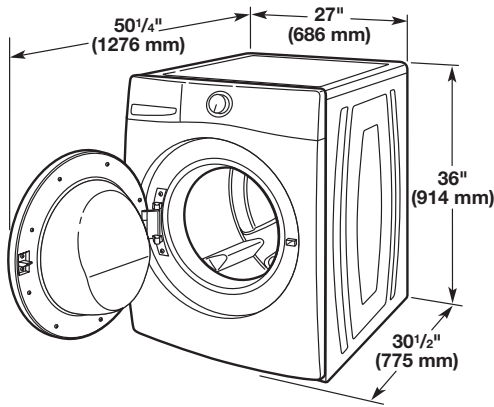


Washer

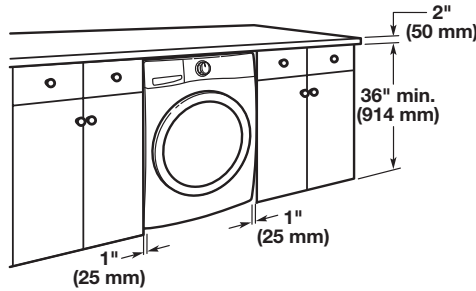
PRODUCT MODEL NUMBERS

MHWE201Y, MHWE251Y,
MHWE301Y

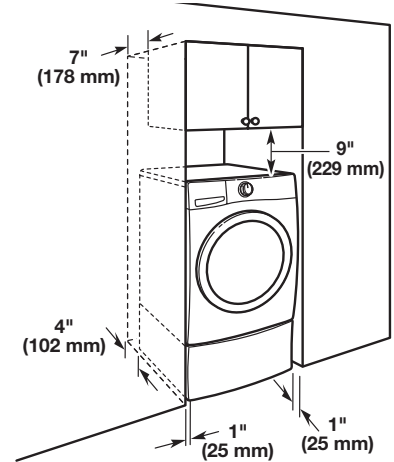
Washer Dimensions:



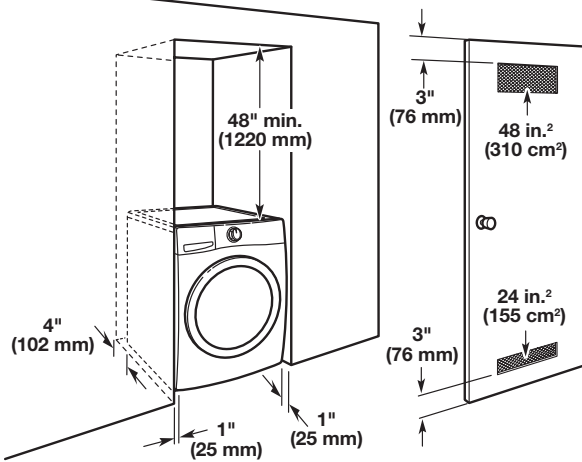
Undercounter installation - washer only:



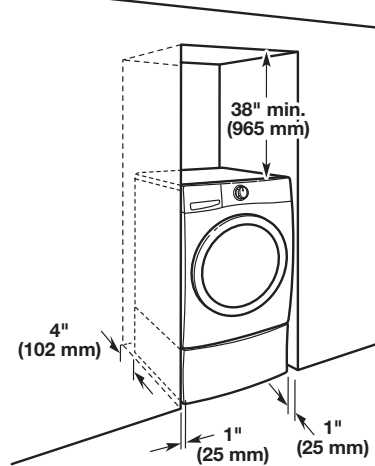
Cabinet installation:



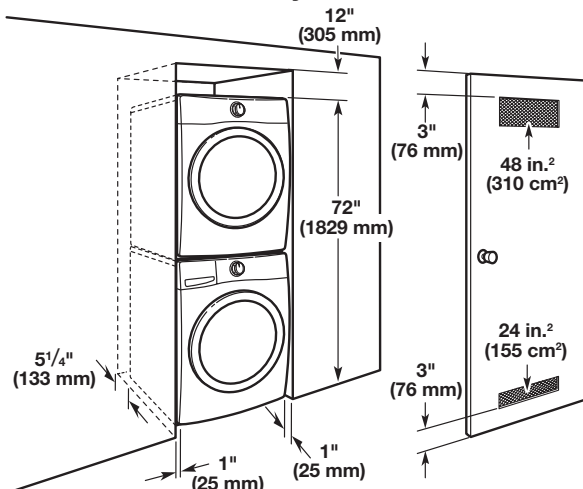
Recessed area or closet installation - without pedestal



Recessed or closet installation - with pedestal



Recessed or closet installation - stacked washer and dryer



All dimensions show recommended spacing allowed, except for closet door ventilation openings which are the minimum required.

For each arrangement, consider allowing more space for ease of installation and servicing, and spacing for companion appliances and clearances for walls, doors, and floor moldings.

Space must be large enough to allow door to fully open. Add spacing of 1" (25 mm) on all sides of washer to reduce noise transfer. If a closet door or louvered door is installed, top and bottom air openings in door are required.

ELECTRICAL REQUIREMENTS

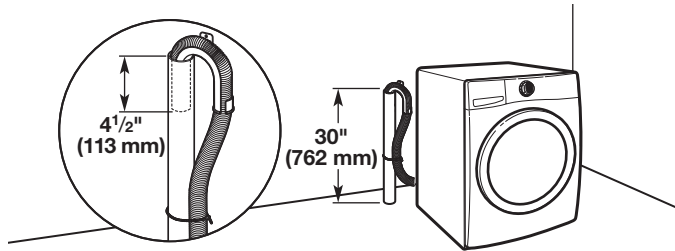
A 120 volt, 60 Hz., AC only, 15- or 20-amp, fused electrical supply is required. A time-delay fuse or circuit breaker is recommended. It is recommended that a separate circuit serving only this appliance be provided.

DRAIN SYSTEM

Drain system can be installed using a floor drain, wall standpipe, floor standpipe, or laundry tub. Select method you need.

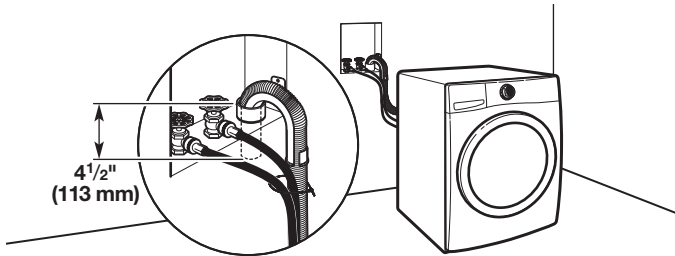
IMPORTANT: To avoid siphoning, only 4½" (113 mm) of drain hose should be inside standpipe. Always secure drain hose with beaded tie strap.

Floor standpipe drain system



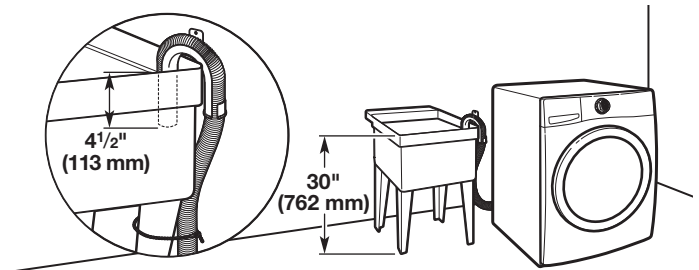
Minimum diameter for a standpipe drain: 2" (51 mm). Minimum carry-away capacity: 17 gal. (64 L) per minute. A 1/4" (6 mm) diameter to 1" (25 mm) diameter Standpipe Adapter Kit is available (Part Number 3363920). Top of standpipe must be at least 30" (762 mm) high; install no higher than 96" (2.4 m) from bottom of washer. If you have an overhead sewer and need to pump higher than 96 inches, a sump pump and associated hardware are needed. See "Alternative Parts".

Wall standpipe drain system



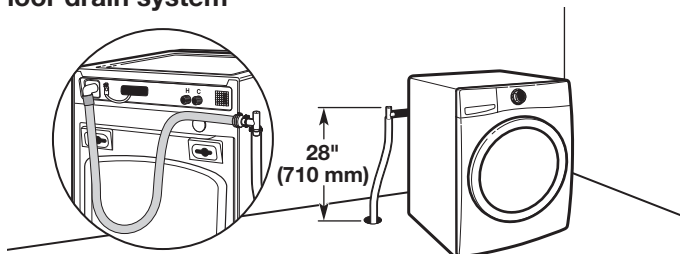
See requirements for floor standpipe drain system.

Laundry tub drain system



Minimum capacity: 20 gal. (76 L). Top of laundry tub must be at least 30" (762 mm) above floor; install no higher than 96" (2.4 m) from bottom of washer.

Floor drain system



Floor drain system requires a Siphon Break Kit (Part Number 285834), 2 Connector Kits (Part Number 285835), and an Extension Drain Hose (Part Number 285863) that may be purchased separately. See "Alternative Parts". Minimum siphon break height: 28" (710 mm) from bottom of washer. (Additional hoses may be needed.)



Electric Dryer

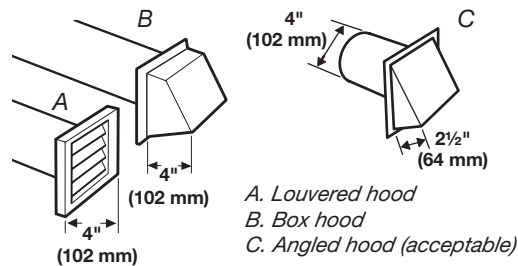
PRODUCT MODEL NUMBERS

MEDE200X. MEDE250X

Electrical: This dryer requires a 3 or 4 wire, single phase, 120/240 volt, 60 Hz, AC only electrical supply (or 3 or 4 wire, 120/208 volt electrical supply, if specified on the serial/rating plate) on a separate 30-amp circuit, fused on both sides of the line. Connect to an individual branch circuit. Do not have a fuse in the neutral or grounding circuit.

Exhaust venting: Exhaust your dryer to the outside. 4" (102 mm) diameter vent is required. Rigid or flexible metal exhaust vent must be used. Do not use plastic or metal foil vet. Exhaust hood must be at least 12" (305 mm) from the ground or any object that may be in the path of the exhaust.

Hood styles: A & B are recommended.



The Vent system chart provides venting requirements that will help achieve best drying performance.

NOTE: Side and bottom exhaust installation have a 90° turn inside the dryer. To determine maximum exhaust length, add one 90° turn to the chart.

Vent system chart			
Number of 90° elbows	Type of vent	Box/louvered hoods	Angled hoods
0	Rigid metal	64 ft. (20 m)	58 ft. (17.7 m)
1	Rigid metal	54 ft. (16.5 m)	48 ft. (14.6 m)
2	Rigid metal	44 ft. (13.4 m)	38 ft. (11.6 m)
3	Rigid metal	35 ft. (10.7 m)	29 ft. (8.8 m)
4	Rigid metal	27 ft. (8.2 m)	21 ft. (6.4 m)

Do not use vent runs longer than specified in vent length chart.

Determine the number of elbows you will need.

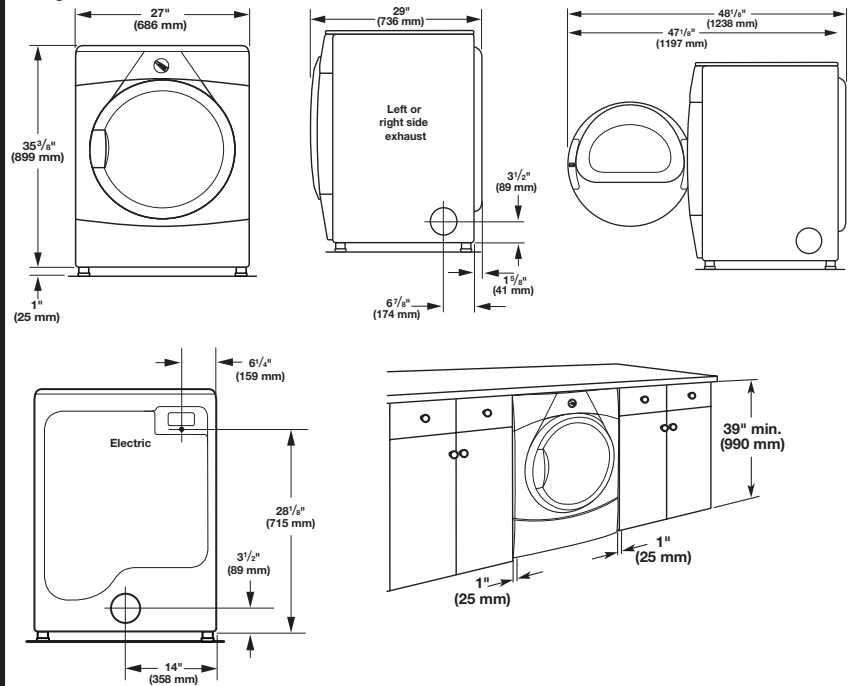
Select the route that will provide the straightest and most direct path outdoors.

Plan the installation to use the fewest number of elbows and turns.

Use the fewest 90° turns possible.

OVERALL DIMENSIONS

Dryer dimensions



Minimum Required Spacing

