

Amana® 3.5 cu. ft. Front Load Washer

Send Page to Printer



NFW7300WW

Amana® 3.5 cu. ft. Front Load Washer

MSRP\$649.00

MAJOR APPLIANCE

[Specifications](#) [Product Literature](#) [Electrical Requirements](#)

- + Larger View
- + Product Demo

Available Colors

White
 Model: NFW7300WW
 MAJOR APPLIANCE

Order This Item

NFW7300WW

Enter Quantity:

Related Products



8212487RP
 5' Industrial Grade Nylon Braid
 Fill Hoses - 2 Pack



1903WH
 Laundry Supply Storage Cart



NGD7300WW
 Amana® 6.7 cu. ft. Super
 Capacity Gas Dryer



NED7300WW
 Amana® 6.7 cu. ft. Super
 Capacity Electric Dryer

Dimensions

Gross Weight	225 LB	Dimensions shown are for planning purposes only. For complete information, see Installation Instructions packed with product.

Specifications

Construction

Drum Material	Stainless Steel
Washer Top Finish	Painted

Performance

Dispenser Type	3-tray dispenser drawer (Detergent, bleach and fabric softener)
----------------	---

Key Features


- ENERGY STAR® Qualified [more](#)
- 3.5 cu. ft. Capacity [more](#)
- EvenSpin Vibration Control System™ [more](#)
- Stainless Steel Wash Basket [more](#)
- Flexible Configuration [more](#)
- Add-a-Garment Option [more](#)
- Touch and Go™ Electronic Controls [more](#)
- Heavy Duty Cycle [more](#)
- Normal Cycle [more](#)
- Delicate Cycle [more](#)
- Clean Washer Cycle [more](#)
- Rinse and Spin Option [more](#)
- Drain and Spin Cycle [more](#)

Number of Temperatures	3
Number of Chambers	3
Detergent Dispenser	Detergent Dispenser
Tier Level	3
Sound Package	Quiet Series
Number of Cycles	6
Heavy Duty Wash	Heavy Duty
Normal Wash	Normal
Rinse / Spin Cycle	Rinse / Spin
Add A Garment	Yes

- Detergent, Bleach and Fabric Softener Dispenser [more](#)
- End-of-Cycle Signal [more](#)
- SofSound™ I Quiet Package [more](#)
- Optional Storage Pedestal [more](#)
- Optional Laundry Tower [more](#)
- Optional Worksurface [more](#)
- Optional Stacking Kit [more](#)

Product Literature

- [Owners Manual](#) (5225.79 KB)
- [Dimension Guide](#) (516.99 KB)
- [Installation Instructions](#) (6776.78 KB)
- [Energy Guide](#) (478.61 KB)
- [Warranty](#) (229.47 KB)

You may need to install Adobe Acrobat Reader  to view these documents.

UPC Listing

Model "NFW7300WW" UPC: 883049162218

Home Browse by Category Laundry Dryers Electric Dryer NED7300WW

Send Page to Printer

Amana® 6.7 cu. ft. Super Capacity Electric Dryer



NED7300WW

Amana® 6.7 cu. ft. Super Capacity Electric Dryer

MSRP\$649.00

MAJOR APPLIANCE

[Specifications](#) [Product Literature](#) [Electrical Requirements](#)

- + Larger View
- + Product Demo

Available Colors

- White**
Model: NED7300WW
MAJOR APPLIANCE

Order This Item

NED7300WW

Enter Quantity:

Related Products



8572546
Duet Sport & Epic z™ Stack Kit



PT220L
4' 3-Wire 30 amp Dryer Cord



PT400L
4' 4-Wire 30 amp Dryer Cord



XHS1000XX
Laundry 123® Adjustable Clothes Rack

Dimensions

Height	36 Inches	Dimensions shown are for planning purposes only. For complete information, see Installation Instructions packed with product.
Depth	29 Inches	
Width	27 Inches	
Gross Weight	134 LB	

Key Features

- 6.7 cu. ft. Super Capacity [more](#)
- AutoDry System [more](#)
- Flexible Configuration [more](#)
- Touch and Go™ Electronic Controls [more](#)
- Heavy Duty Cycle [more](#)
- Normal Cycle [more](#)
- Delicate Dry [more](#)
- Timed Dry [more](#)
- Air Dry [more](#)
- End-of-Cycle Signal [more](#)
- SofSound™ I Quiet Package [more](#)

Specifications

Capacity	
Total Capacity	6.7 Cu. Ft.
Construction	
Top Finish	Painted
Door Window	Window Door
Reversible Door	Reversible-Swing Door

Door Swing	Side Swing
Performance	
Drum Light	Yes
Lint Screen Location	Front
Number of Cycles	6
Heavy Duty	Heavy Duty
Normal	Yes
Number of Temperatures	4
Dimensions	
Height	36 Inches
Width	27 Inches
Depth	29 Inches

Product Literature

- [Owners Manual](#) (1129.90 KB)
- [Dimension Guide](#) (509.49 KB)
- [Installation Instructions](#) (6889.14 KB)
- [Warranty](#) (126.73 KB)

You may need to install Adobe Acrobat Reader  to view these documents.

Electrical Requirements

30Amps. 60Hz. 240V.

UPC Listing

Model "NED7300WW" UPC: 883049162324

Amana®

Front-Loading Automatic Washer

PRODUCT MODEL NUMBERS

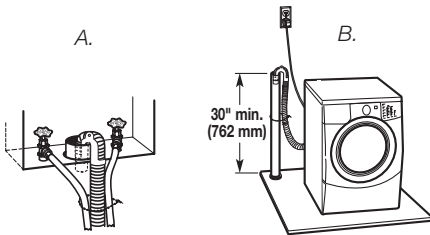
NFW7300W

Electrical: A 120 volt, 60 Hz., AC only, 15- or 20-amp, fused electrical supply is required. A time-delay fuse or circuit breaker is recommended. It is recommended that a separate circuit serving only this washer be provided.

Drain System Options

Standpipe drain system - wall or floor (views A & B)
The standpipe drain requires a minimum diameter standpipe of 2" (50 mm). The minimum carry-away capacity can be no less than 17 gal. (64 L) per minute.

The top of the standpipe must be at least 30" (762 mm) high and no higher than 96" (2.4 m) from the bottom of the washer.



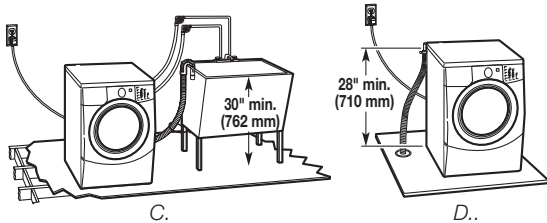
Laundry tub drain system (view C)

The laundry tub needs a minimum 20 gal. (76 L) capacity. The top of the laundry tub must be at least 30" (762 mm) above the floor.

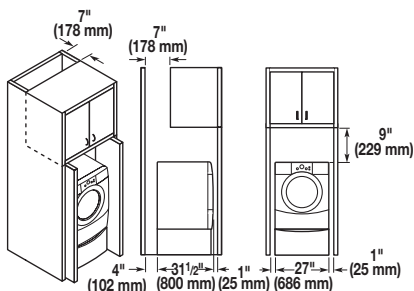
Floor drain system (view D)

The floor drain system requires a siphon break that may be purchased separately. See "Tools and Parts."

The siphon break must be a minimum of 28" (710 mm) from the bottom of the washer. Additional hoses might be needed.

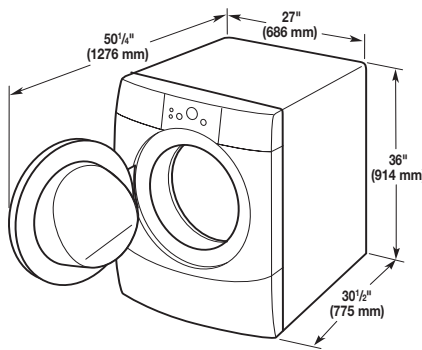


For cabinet installation, with a door, the minimum ventilation openings in the top are required.

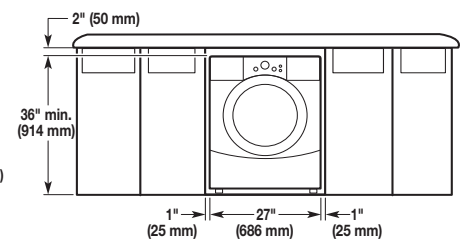


OVERALL DIMENSIONS

Washer dimensions

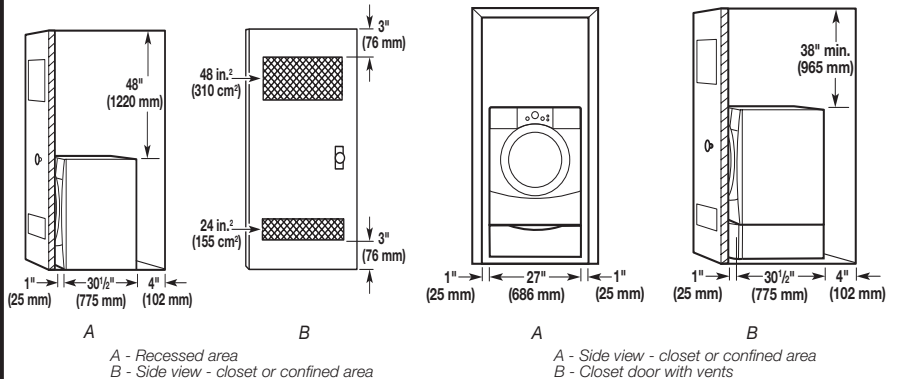


Custom undercounter installation-washer only

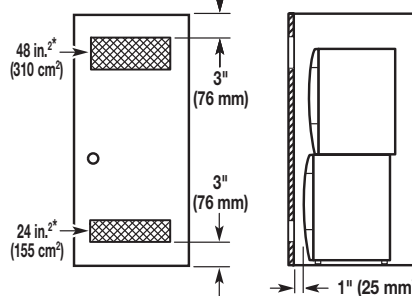


For closet installation, with a door, the minimum ventilation openings in the top and bottom of the door are required. Louvered doors with equivalent air ventilation openings are acceptable.

Recessed or closet installation - Washer on pedestal



Recessed or closet installation - Stacked washer and dryer



* Min. top and bottom air openings for closet door.
** External exhaust elbow requires additional space.
*** Wall, door and floor molding may require additional spacing.

