

Whirlpool® 7.0 cu. ft. Electric Dryer with Wide-Opening Hamper Door

Send Page to Printer



Larger View

WED5200VQ

Whirlpool® 7.0 cu. ft. Electric Dryer with Wide-Opening Hamper Door

MSRP\$449.00

MAJOR APPLIANCE

OBSOLETE

[Specifications](#) [Product Literature](#) [Electrical Requirements](#)

Available Colors

White-on-White
Model: WED5200VQ
CLOSEOUT
MAJOR APPLIANCE
OBSOLETE

Order This Item

WED5200VQ

Enter Quantity:

Related Products



3406839
Dryer Rack - Fits 29" Dryers



PT400L
4' 4-Wire 30 amp Dryer Cord



31682
All-Purpose Appliance Cleaner - 16 oz.



PT220L
4' 3-Wire 30 amp Dryer Cord

Dimensions

Height	42 1/2 Inches	Dimensions shown are for planning purposes only. For complete information, see Installation Instructions packed with product.
Depth	27 3/4 Inches	
Width	29 Inches	
Gross Weight	117 LB	

Specifications

Capacity	
Total Capacity	7.0 Cu. Ft.
Construction	
Top Finish	Painted
Drum Material	Powder Coat
Controls	
Controls	Electro Mechanical

Key Features


- Built-in Sensors Help Prevent Overdrying [more](#)
- Energy-Saving Technology Saves You Time and Money [more](#)
- Keep Operational Noise Out of Your Living Spaces [more](#)
- 7.0 Cu. Ft. Capacity [more](#)
- AutoDry™ Drying System
- Wrinkle Shield™ Option (up to 40 Min.) [more](#)
- Quiet Dry Noise Reduction System [more](#)
- 10 Automatic Cycles
- 4 Temperature Settings
- Heavy Dry Cycle
- Fluff Air Cycle
- Timed Drying
- Damp Dry Cycle

Performance	
Drum Light	Interior Drum Light
Drying System	FabriCare
Lint Screen Location	Top
Number of Cycles	10
Timed Dry	Yes
End of Cycle Signal	On / Off End Of Cycle Signal
Number of Temperatures	4
Dimensions	
Height	42 1/2 Inches
Width	29 Inches
Depth	27 3/4 Inches

- Wide-Opening Hamper Door [more](#)
- Extra-Large Top-Mounted Lint Screen [more](#)
- Adjustable End-of-Cycle Signal
- Interior Drum Light [more](#)
- Optional Dryer Rack 3406839 Sold Separately

Product Literature

[Owners Manual](#) (3196.15 KB)
[Dimension Guide](#) (160.98 KB)
[Installation Instructions](#) (849.86 KB)
[Warranty](#) (92.92 KB)

You may need to install Adobe Acrobat Reader  to view these documents.

Electrical Requirements

30Amps. 60Hz. 240V.

UPC Listing

Model "WED5200VQ" UPC: 883049145495



29" (73.7 cm) Electric Dryer

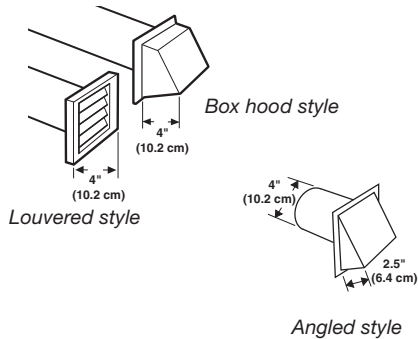
PRODUCT MODEL NUMBERS

WED5000V	WED5300V
WED5100V	WED5700V
WED5200V	WED5790V

Electrical: To supply the required three- or four-wire, single-phase, 120/240-volt, 60-Hz, AC-only electrical supply (or three- or four-wire, 120/208-volt electrical supply, if specified on the serial/rating plate) on a separate 30-amp circuit, fused on both sides of the line. A time-delay fuse or circuit breaker is recommended. Connect to an individual branch circuit. Do not have a fuse in the neutral or grounding circuit.

Exhaust venting: Exhaust your dryer to the outside. 4" (10.2 cm) diameter heavy metal exhaust vent and clamps must be used. DURASAFE™ venting products are recommended. For best drying performance, rigid metal vents are recommended. Flexible metal vents are acceptable only if accessible for cleaning. Do NOT use plastic or metal foil vent. Exhaust outlet hood must be at least 12" (30.4 cm) from the ground or any object that may be in the path of the exhaust.

EXHAUST VENTING

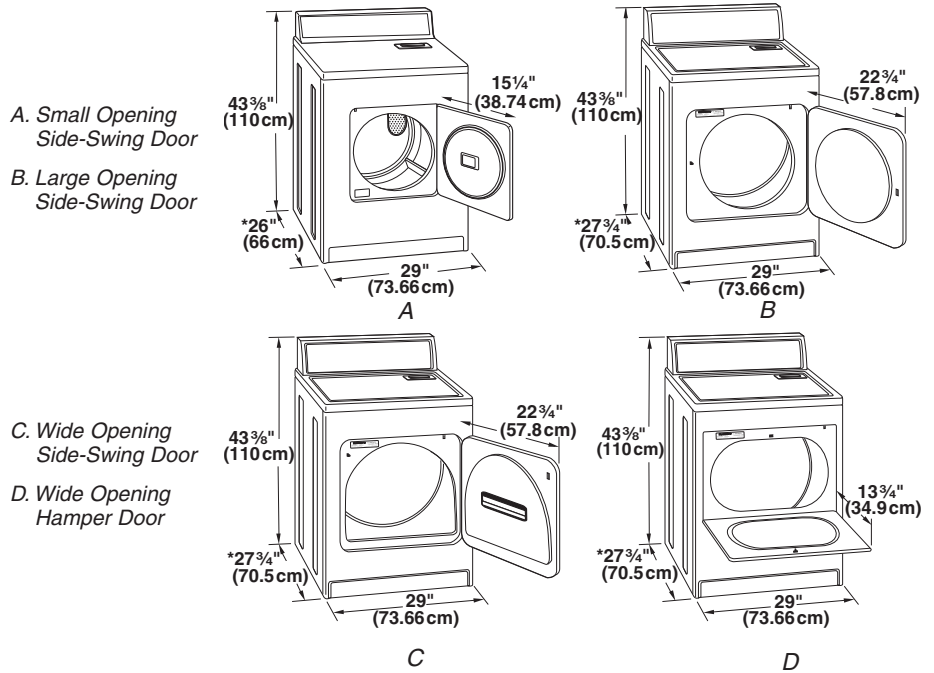


Vent System Chart

NOTE: Side and bottom exhaust installations have a 90° turn inside the dryer. To determine maximum exhaust length, add one 90° turn to the chart.

Number of 90° turns or elbows	Type of vent	Box or Louvered hoods	Angled hoods
0	Rigid metal	64 ft (20 m)	58 ft (17.7 m)
	Flexible metal	36 ft (11 m)	28 ft (8.5 m)
1	Rigid metal	54 ft (16.5 m)	48 ft (14.6 m)
	Flexible metal	31 ft (9.4 m)	23 ft (7 m)
2	Rigid metal	44 ft (13.4 m)	38 ft (11.6 m)
	Flexible metal	27 ft (8.2 m)	19 ft (5.8 m)
3	Rigid metal	35 ft (10.7 m)	29 ft (8.8 m)
	Flexible metal	25 ft (7.6 m)	17 ft (5.2 m)
4	Rigid metal	27 ft (8.2 m)	21 ft (6.4 m)
	Flexible metal	23 ft (7 m)	15 ft (4.6 m)

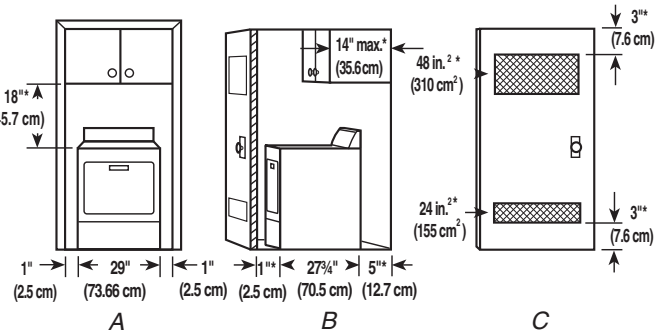
PRODUCT DIMENSIONS



*Most installations require a minimum 5" (12.7 cm) clearance behind the dryer for exhaust vent with elbow.

RECESSED AREA AND CLOSET INSTALLATION

For closet installation with a door, minimum ventilation openings in the top and bottom of the door are required. Louvered doors with equivalent air openings are acceptable.



A. Recessed area
B. Side view - closet or confined area
C. Closet door with vents

*Required spacing

1. Select the route that will provide the straightest and most direct path outdoors. Plan the installation to use the fewest number of elbows and turns. When using elbows or making turns, allow as much room as possible. Bend vent gradually to avoid kinking. Use the fewest 90° turns possible.

2. Determine vent length.

The maximum length of the exhaust system depends upon:

- The type of vent (rigid metal or flexible metal).
- The number of elbows used.
- Type of hood.

See the exhaust vent length chart that matches your hood type for the maximum vent lengths you can use.

3. Determine the number of elbows you will need.

IMPORTANT: Do not use vent runs longer than specified in the Vent Length Chart.

In the column listing the type of metal vent you are using (rigid metal or flexible metal), find the maximum length of metal vent on the same line as the number of elbows.